

WIRE ROPE PULLING HOIST (ALUMINIUM BODY)

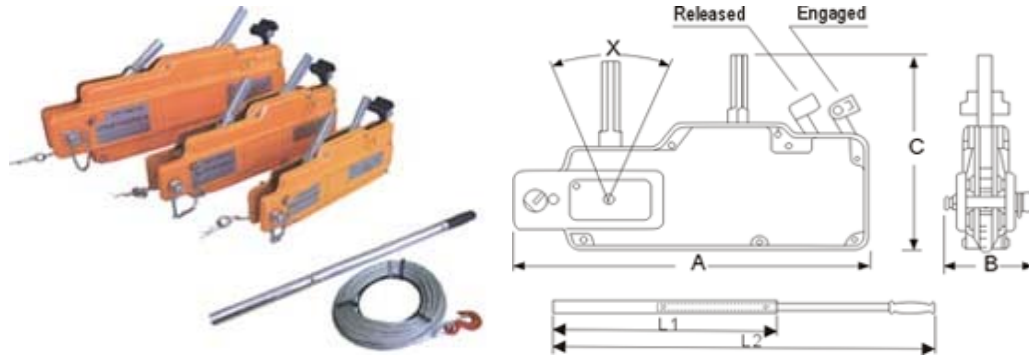
The TOOLIFT wire rope pulling hoist is an extremely versatile and portable unit for pulling, lifting, lowering and securing loads, that is both easy and safe to operate. It comes in three sizes with capacities of 800kg, 1600kg and 3200kg.

- All hoists are supplied complete with 20 meter wire rope and an extendable operating lever.
- Wire rope is tapered one end and fitted with a hook and safety catch at the other end.
- The hoist has low maintenance requirements and is easy to service.
- Overload protection ensures high personal safety when in operation.
- Specially built-in shear pins can be replaced without removing the load.

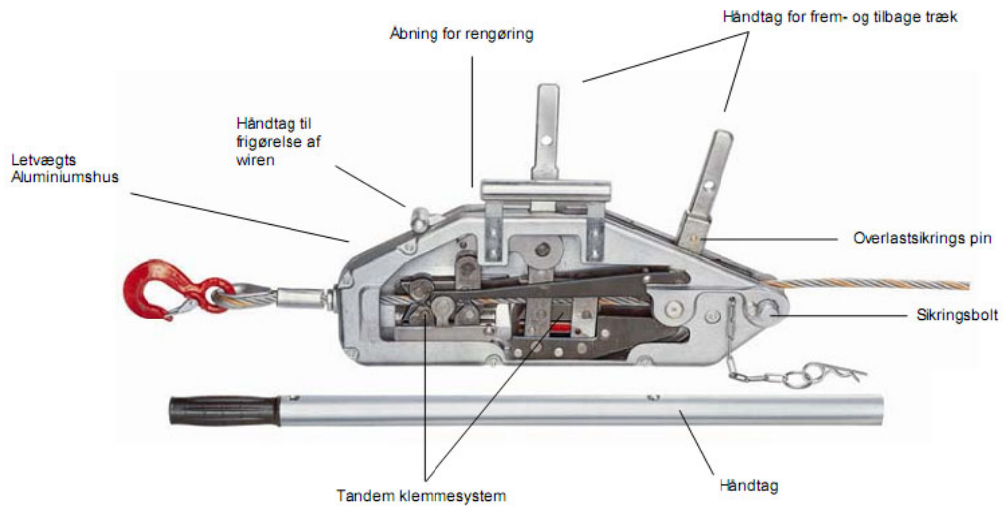


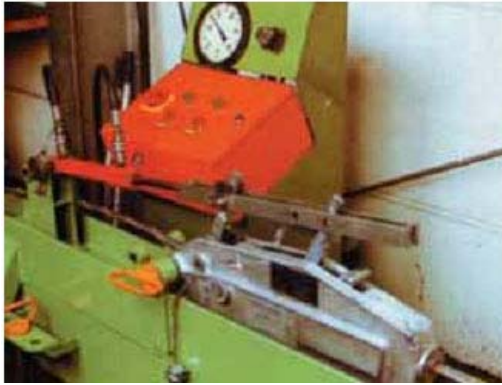
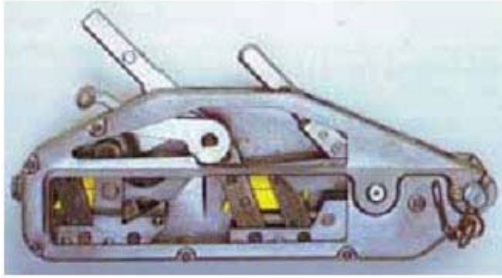
MODEL		H008	H016	H032
Lifting Capacity (kg)		800	1600	3200
Rated Pulling Capacity (kg)		1250	2500	5000
Rope Advance per Full Stroke (mm)		60	60	40
Lever Pull at WLL (kg)		25	30	50
Rope Diameter (mm)		8.3	11	16
Standard Length of Wire Rope (m)		20	20	20
Net Weight Without Cable (kg)		7	14	23
Max Overall Size (cm)	A (Overall Length of Body)	426	545	660
	B (Overall Height of Body)	235	280	325
	C (Overall Width of Body)	64	97	116
L1 (cm)			80	80
L2 (cm)		80	120	120
Spare Part Illustration		Click to View	Click to View	Click to View

WIRE ROPE PULLING HOIST (STEEL BODY)



MODEL	S008	S016	S032
Lifting Capacity (kg)	800	1600	3200
Rated Pulling Capacity (kg)	1250	2500	5000
Rope Advance per Full Stroke (mm)	>=52	>=55	>=28
Rated Forward Hand-power (N)	343	441	441
Rope Diameter (mm)	8.3	11	16
Standard Length of Wire Rope	20	20	20
Net Weight Without Cable (kg)	6	11	22
Max Overall Size (cm)	A (Overall Length of Body)	440	540
	B (Overall Width of Body)	63	130
	C (Overall Height of Body)	265	290
L1(cm)		80	80
L2(cm)	80	120	120





WIRE ROPE PULLING HOIST TEST